

ТНВЭД 8526 91 800 0



Automotive tracker
Brand: GLONASSSoft
Model: UMKa312

PASSPORT

УМКН.055.000.000 ПС



1 BASIC INFORMATION AND TECHNICAL CHARACTERISTICS

The tracker is designed to be installed in vehicles as auxiliary equipment for tracking vehicle location, speed and movement direction. An extra range of parameters is logged as well, e.g.: analog input status, digital input status and sensor readings.

The tracker also provides peripheral control for equipment connected to the discrete output. Event and status logs are stored in the non-volatile memory.

Accumulated data is transmitted over GSM mobile network using GPRS technology to dedicated servers with static IP addresses or domain names. The data on servers is accessible via the Internet for further processing and analysis on a dispatcher console.

The main technical characteristics are listed in Table 1. Future information you can find out in operation manual on the website <http://glonasssoft.ru>.

Table 1 – Technical characteristics GLONASS/GPS tracker model UMKa312

Feature	Value
Navigation systems	GPS, GLONASS
Number of GNSS Receiver Channels	Tracking – 33, acquisition – 99
Main data transmission channel	GSM 850/900/1800/1900
Number of SIM card slots, form factor	1, nano-SIM (4FF)
Antenna type	Internal
PC gateway	USB, Bluetooth
Number of spots in the tracker memory	10000*
Number of analog inputs	1
Analog input voltage range, V	0...40
Number of discrete inputs	1
Number of discrete outputs	1
Built-in accelerometer	Yes
Bluetooth interface	Yes, v4.0
RS-485 interface	Yes, in modifications with «R» letter
Supply voltage, V	8...40
Consumption current (at a voltage of 13,8 V), mA	Average - 35,max. –160
Positional accuracy, m	<2.5
Velocity accuracy, m/s	0.05
Temperature range, °C	-40...+85
Dimensions, mm	33x64x13
Max weight, g	40
Hosting protection (possibility of changing telematic server is switched off)	Yes, in modifications UMKa312.H2, UMKa312.RH2
Power (Potencia)	-166 dBm

2 INPUT DESCRIPTION

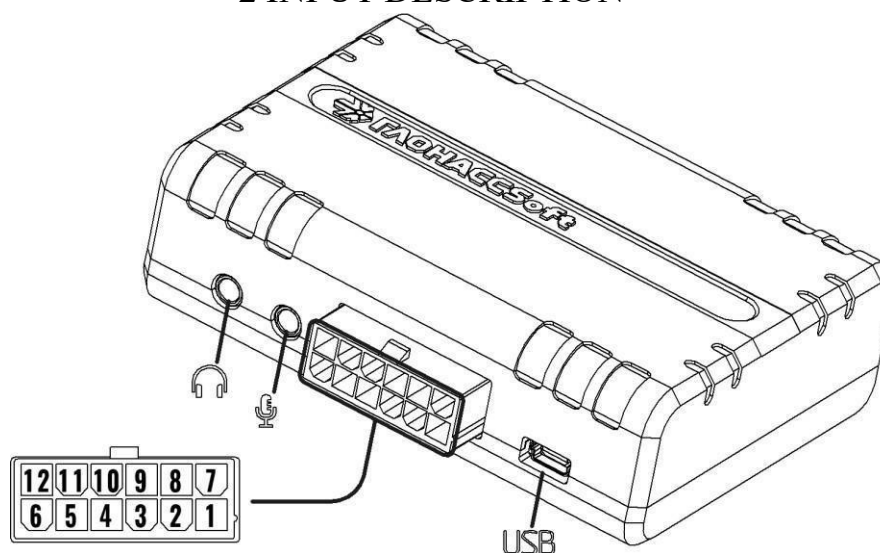


Table 2 - Pin assignment

Pin	Assignment	Pin	Assignment
1	Plus (+)	7	General
2	RS-485 (A)*	8	Not used
3	RS-485 (B)*	9	Output 0. «Open collector». OUT (OUT0)
4	Input 0. Analog 0. IN0 (AIN0)	10	Input 1. Discrete 0. IN1 (DIN0)
5	Not used	11	Not used
6	Not used	12	Not used

* - for modifications with «R»

3 CONTENTS OF DELIVERY

Contents of delivery includes:

- GLONASS/GPS tracker – 1 unit.
- Passport – 1 unit.
- Connecting wires - 5 units,
- Power plug for MF-12F cable- 1 unit

4 WARRANTY LIFE AND MANUFACTURER WARRANTY

Warranty life – 5 years from the manufacture date. Warranty on the battery and external antennas are submitted separately and last 1 year.

The manufacturer promises to repair the UMKa312 tracker free of charge within the warranty period (or replace it with the device of a similar modification).

This warranty is legally valid when the device is submitted together with the rightly and legibly completed complaint form (you can find the form at <https://glonasssoft.ru>). Customers deliver the device to the place of repair by their own means.

The manufacturer shall not be liable for damages to property, or persons, or any other damages suffered by the UMKa312 owner or the third party due the failure to comply with the rules of transportation, storage, installation and operation specified in the Operating Manual. The tracker service life is 5 years except for battery and external antennas.

The warranty does not cover:

- defects caused by the failure to comply with the rules of transportation, storage, installation and operation specified in the Operating Manual;

- connecting wires, slots, pins and SIM card holders;
- trackers without casing or with mechanical damages and defects (cracks and nicks, dents, traces of blows, etc.) caused by the customers due to violating operating, storage and transportation conditions;
- trackers with traces of corrosion or other signs of fluid exposure;
- trackers with the signs of an unauthorized repair or upgrade;
- trackers with electrical and/or other damages due to the invalid condition of the external electrical circuit or improper use of the tracker;
- trackers that failed due to unauthorized software updates.

5 PACKAGE

The UMKa312 tracker can be packaged at individual or group cardboard package. It designed for 10 trackers and mounting kits.

6 ACCEPTANCE CERTIFICATE

UMKa312 tracker with serial number and date of manufacture:



The product meets these technical specifications: TY 26.30.11-001-29608716-2017 and is suitable for using.

Manufacturer: LLC «NIS-GLONASS»

Address: Zipovskaya, d. 5, korp. 1, liter 2B Krasnodar, Krasnodar Region, Russia 350010

website: <http://glonasssoft.ru>

7 TRANSPORTATION AND STORAGE

When transporting and storing, comply with the technical specifications TU 26.30.11-001-29608716-2018. Transportation by water (besides sea) is carried out in a sealed package or in dry sealed compartments or containers. Transportation by air is carried out in the sealed compartments. After transporting the tracker at subzero temperatures, it is necessary to keep it at room temperature for 24 hours. Storage conditions in terms of climatic factors have to meet storage conditions ОЖ4 ГОСТ 15150-69.